



PPC 130 Projector ceiling mount

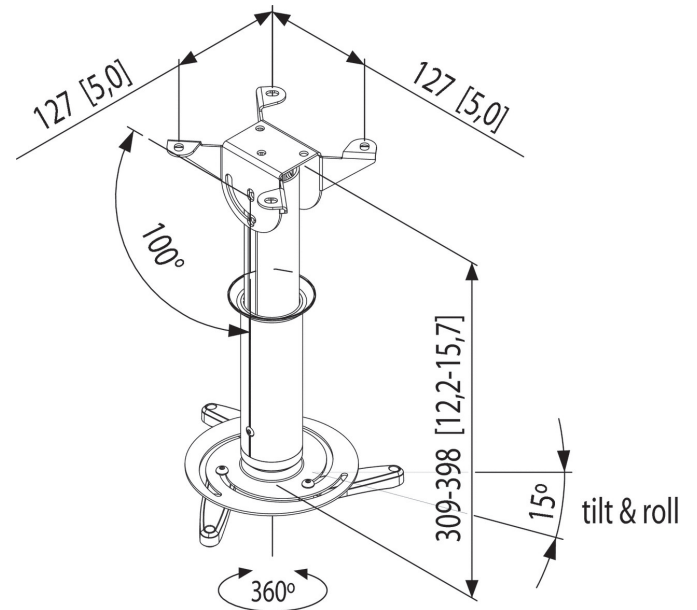
Specifications

- Max. weight: 10 kg / 22 lbs
- Turn: 360 °
- Roll: 15 °
- project.leaflet_minDistanceCeiling: 309 mm
- Guarantee: 5 years
- Available colours: Silver

The PPC 130 projector ceiling mount is a height adjustable mount for projectors up to 10 kg.



PPC 130 Projector ceiling mount



The PPC 130 projector ceiling mount can be used when the height of the ceiling is not known or when flexibility is wanted. This mount is height adjustable between 30 cm and 39 cm. The CIS® Cable Inlay System enables you to hide all the cables in a matter of seconds. The special ceiling plate is also suitable for sloping ceilings.

Features

- CIS® Cable Inlay System
- Special anti-theft screws
- Tilt and roll functions guarantee optimal viewing position
- Including 4 metal mounting arms
- Easy mounting
- Ceiling plate suitable for sloping ceilings

Logistic information

- Packaging size: 422x208x100 mm
- Max. weight: 3 kg / 6 lbs
- EAN Code: 8712285308543